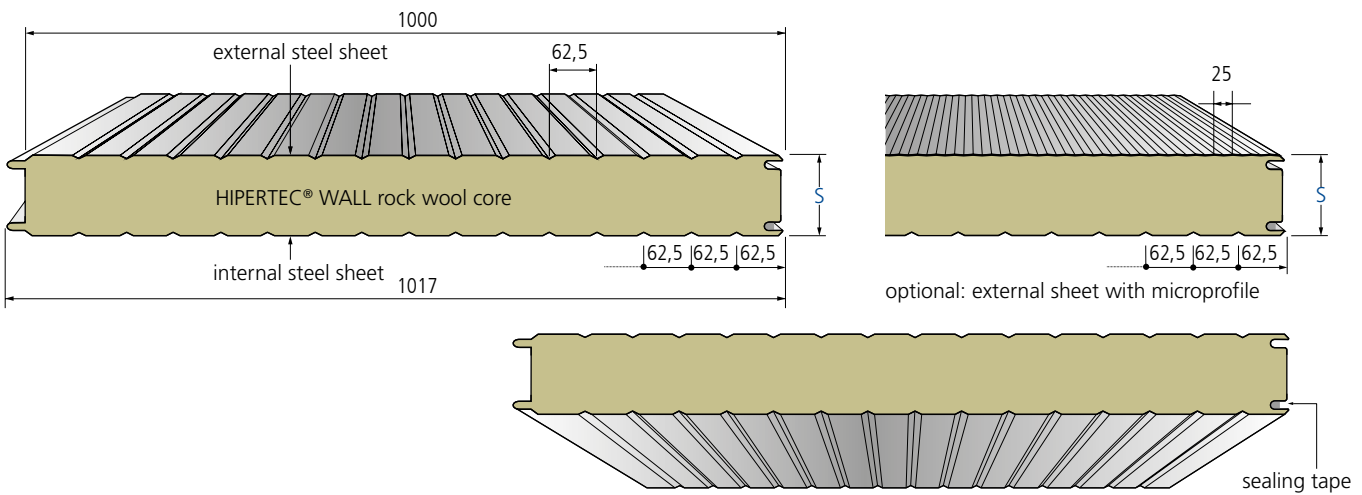


Hipertec® Wall is a sandwich panel with non-combustible insulation core made of rock wool and suits best to meet today's high requirements for fire protection and sound insulation. Depending on the core thickness the fire resistance may reach up to 120 minutes. High support widths and an easy installation both vertical and horizontal make this product very cost effective, perfectly apt for application as

separation wall or external wall. Due to the large number of combinations with other panels from our portfolio with polyurethane or glass wool insulation core, it is possible to reach fire, acoustic and thermal requirements at once without any visual impact. More information is available in the download area www.en.metecno.de.



different internal profiles on request, dimensions in mm

type of element

core thickn. s
mm

external steel sheet
tN
mm

internal steel sheet
tN
mm

weight
kg / m²

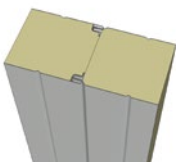
thermal resistance
R
m² K / W

thermal conductivity
[Ψ - joint effect]
U w/o Ψ
W / m² K

U with Ψ
W / m² K

HIPERTEC® WALL

60	0,60	0,60	17,0	1,34	0,711	0,731
80	0,60	0,60	19,2	1,79	0,537	0,548
100	0,60	0,60	21,4	2,25	0,432	0,438
120	0,60	0,60	23,6	2,70	0,361	0,365
150	0,60	0,60	26,9	3,38	0,290	0,292
200	0,60	0,60	32,4	4,52	0,218	0,219
240	0,60	0,60	36,8	5,42	0,182	0,183





PRODUCTION AND LABELING

Production according to applicable European Building Product Regulation as per sandwich norm DIN EN 14509; label marking in accordance with EC certificate of conformity 0769-CPR-VAS-00420-1

APPLICATION APPROVAL

Current approvals, certificates and general building permits at www.en.metecno.de/service.

REACTION TO FIRE

Building material classified as A2-s1,d0 non-combustible according to DIN EN 13501-1, rock wool core A1, non-combustible, melting point > 1000°C

FIRE RESISTANCE

German building compliance certificate DIBt Application Approval Z-19.52-2096 (see table below)

THERMAL CONDUCTIVITY

$\lambda = 0.044 \text{ W / m.K}$ according to DIN 4108 and DIN EN 13162
The insulation values are regularly monitored by external bodies and may be applied without any further reduction

SOUND INSULATION

$R_w \geq 30 \text{ dB}$

SUPPORTING WIDTHS FOR ACHIEVING FIRE RESISTANCE ACCORDING GERMAN FIRE RESISTANCE APPROVAL/BRANDSCHUTZZULASSUNG Z-19.52-2096

SINGLE-SPAN INSTALLATION

panel thickn. s	vertical installation				horizontal installation			
	fire retardant EI 30	highly fire retardant EI 60	fire resistant EI 90	highly fire resistant EI 120	fire retardant EI 30	highly fire retardant EI 60	fire resistant EI 90	highly fire resistant EI 120
mm	mm	mm	mm	mm	mm	mm	mm	mm
60	4000	-	-	-	-	-	-	-
80	5000	3000**	-	-	-	-	-	-
100	5000	5000	4000	3000**	5000	5000	5000	-
120	5000	5000	5000	4000	6000	6000	5000	5000**
150	5000	5000	5000	5000	6000	6000	6000	5000**
≥200	5000	5000	5000	5000	10700	10700	9700	-
					panel thickn. s	vertical inst. fire retardant EI30	highly fire retardant EI60	fire resistant EI90
					mm	mm	mm	mm
MULTIPLE-SPAN INSTALLATION					mm	mm	mm	mm
maximum spans of exterior walls additionally influenced by wind load ** not for application in Germany					≥120	3500	3500	-

STANDARD COATING

External and internal steel sheet: 25 µm polyester
For standard colours and different coating systems please refer to our colour chart

STANDARD LENGTHS

> 2,00 m to 25,00 m, greater lengths on request

CORROSION PROTECTION

According to DIN EN 10169: External and internal sheet: Class RC3
According to DIN EN ISO 12944-2: External and internal sheet: corrosivity category C3 corresponding to average duration of protection for urban and industrial environments with moderate exposure to sulphur dioxide. Other coating systems are available for more sophisticated demands such as for buildings near the sea, farm buildings with high ammonia exposure or moist rooms

STANDARD STEEL SHEETS

Hot-dip galvanized steel, grade S 320 GD + Z 275 according to DIN EN 10346

TABLE OF SPANS

Please visit our website www.en.metecno.de

PACKAGING

External sheets provided with removable protective film, panel packages wrapped with banded plastic foil to protect from soiling
INTERLOCKING JOINT COMPATIBILITY WITH METFIBER® ECO WALL & THERMOWALL KOMBI®

